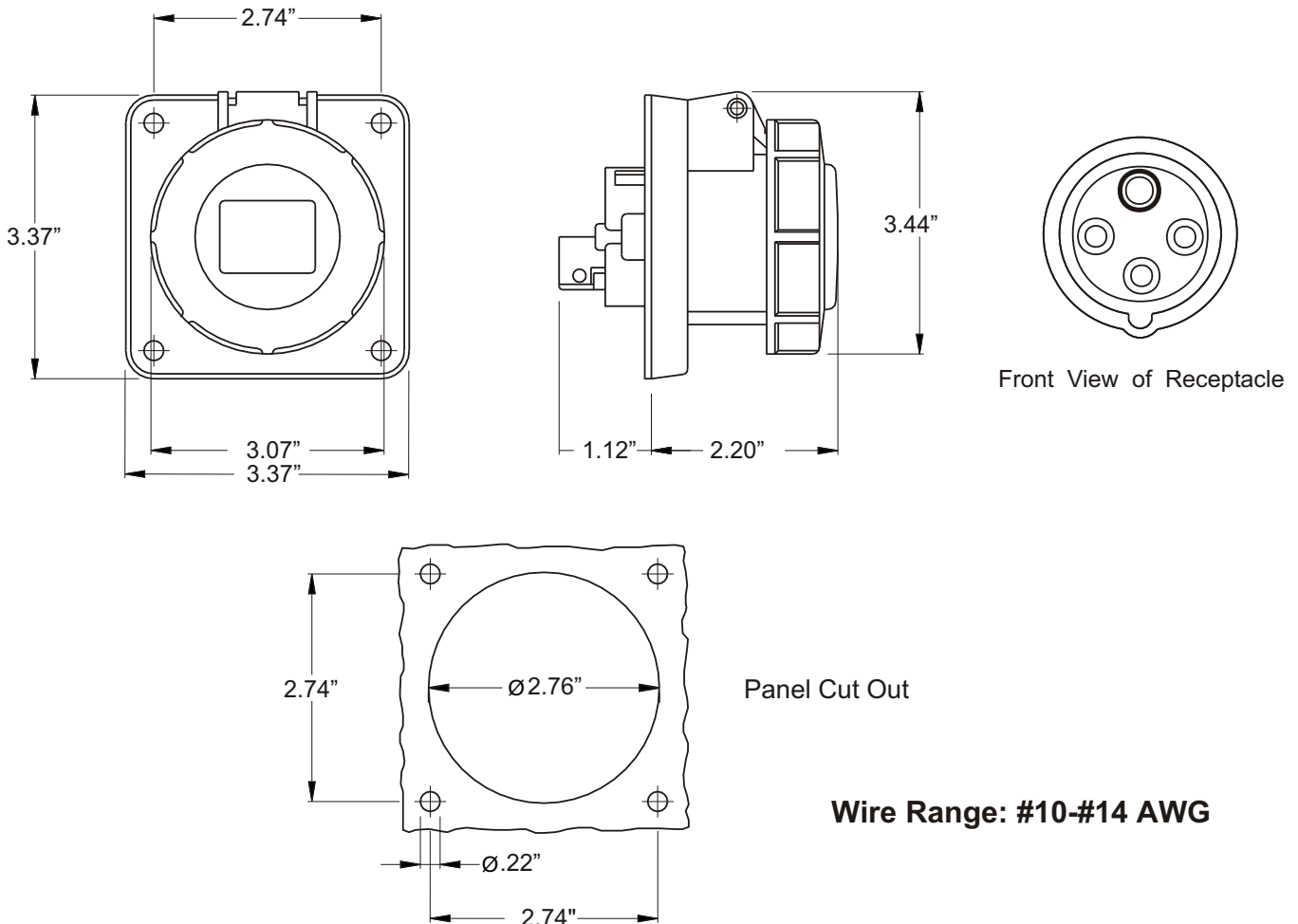


RECEPTACLE, PANEL MOUNTED

Part No.	ME 420R12W
Description:	20 Amp 125/250Vac 3 Pole, 4 Wire Receptacle
Construction:	Watertight IEC IP 67
Approvals:	UL Listed Standards 1682; 1686 CSA Certification to Spec. C22.2 No. 182.1 IEC 60309-1; IEC 60309-2

IEC COLOR CODE: Orange

GROUND SOCKET: 12 Hour Position Mates with Male in 12 Hour Position.



Wire Range: #10-#14 AWG

Drawing Not to Scale